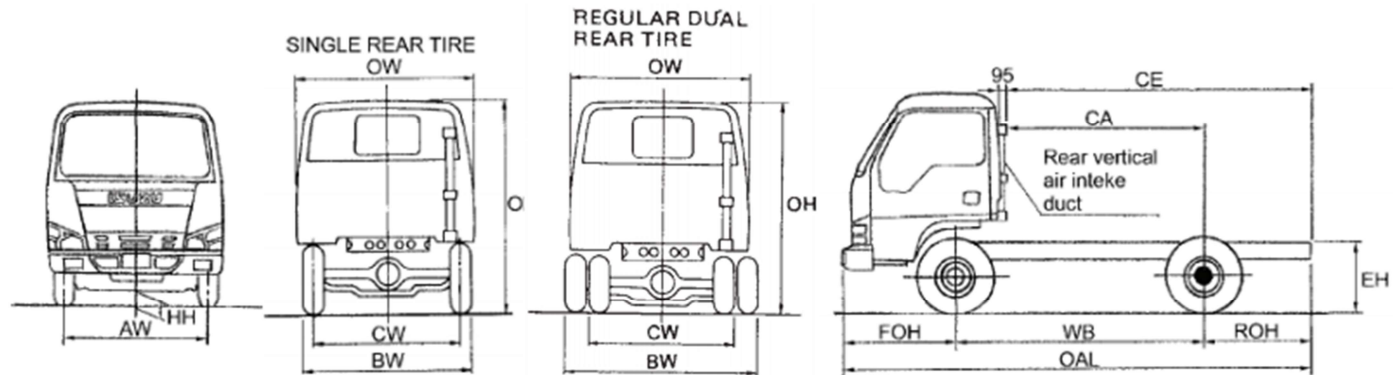


■ Dimension (Designed)



Unit: mm

Rear tire set	Model	OAL	WB	FOH	ROH	CE	CA	OW*	AW	BW*	CW	OH*	HH*	EH*		
Single	QKR55E	Cab chassis	4,590	2,490	1,085	3,025	1,940			1,610	1,395	2,105		780		
		Cargo	4,710		1,205	3,145				1,890						
Dual	QKR55F	Cab chassis	5,005	2,765	1,015	1,225	3,455	2,215	1,695	1,385	1,860	1,425	2,115	190	770	
		Cargo	5,235			1,455	3,670				1,890					
	QKR55H	Cab chassis	5,830	3,360		1,455	4,265				2,810					1,860
		Cargo	6,025			1,650	4,460									1,890

Note : "OH", "HH" and "EH" are approx.

Regarding cab chassis models, "OW" is cabine width.

Concerning cargo models, "BW" includes rear body width.



Aluminum Van



Drop Side